

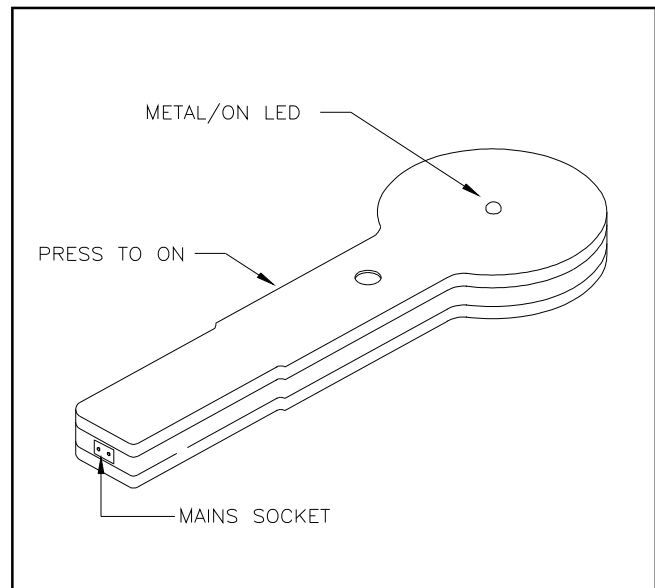
HAND HELD METAL DETECTOR

Model:- SM-7CA

World Class ! Super Sensitive ! Revolutionary !

FEATURES:-

- Detects minute quantities of gold, silver, platinum, brass, copper, mild & stainless steel are detected effectively.
- Ultrahigh sensitivity & stability.
- Operates on: 1.5V x 2 nos. Dry cell. & 1.2V x 3 nos NI-CD cell.
- Battery selector switch.
- Battery charger provided.
- Dual colour LED Power ON green becomes red on metal detection.
- PVC moulded body, gives high strength & sturdiness & light in weight.
- Continuous operation 100 hrs.



SPECIFICATION

SENSITIVITY:- Test piece

| | |
|------------------------------|--|
| 0.1 gm | : Dist. 20mm |
| Razor Knife (plastic handle) | : Dist. 80mm |
| Gold Ring 4gm | : Dist. 80mm |
| Coin 9.5 gm | : Dist. 80mm |
| Power consumption | : With LED on 10.4mA, LED on sound 19.4mA |
| Battery life | : Several month of intermittent use |

DIMENSIONS

| | |
|-------------------------|---------|
| Length | : 330mm |
| Width | : 110mm |
| Depth | : 38mm |
| Weight (Including bty.) | : 374gm |

Note:- To keep pace with latest technology SIVANANDA ELECTRONICS reserves the right to update the system, hence specifications are subject to change without any notice.



SIVANANDA ELECTRONICS

DEEPAK MAHAL, LAM ROAD, DEVLALI 422 401 (MAHARASHTRA)
TEL.: Factory-(0253) 2491816,2491423,2491504 Fax:- (0253)2492291
Mumbai-(022) 26796487,26786249,26792818 Fax-(022)26783113
Goa- (0834) 2555755, Fax- (0834) 2555702, CALCUTTA: (033) 23580759
TEL./FAX.New Delhi- (011) 26221582, 26204168-69 Fax- (011) 26446150

An ISO 9001
Company

