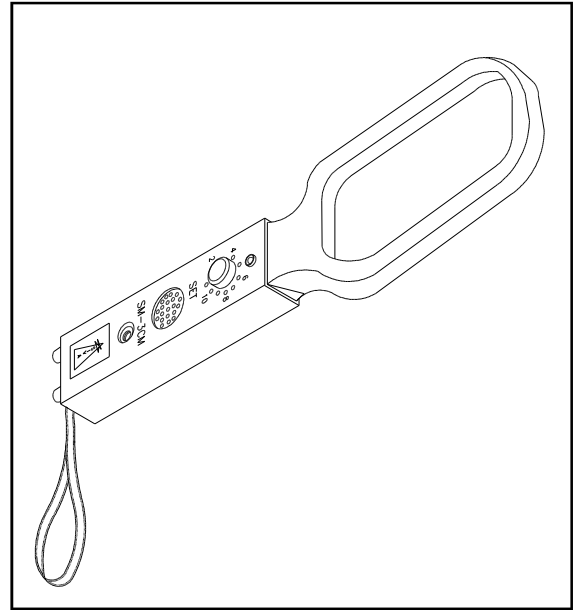


# HAND HELD METAL DETECTOR

## Concealed Metal they..... Can't get away with it !

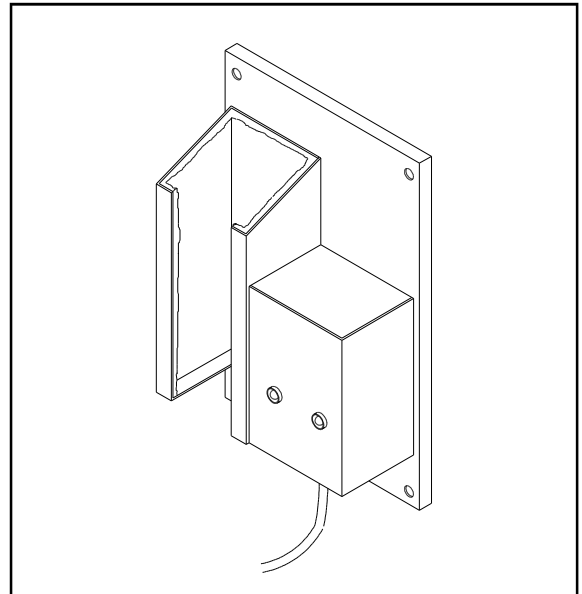
**Model:- SM-3CM**

- World-class product developed by SIVA R&D centre.
- Auto set model.
- Detects ferrous & nonferrous metals.
- No fault alarms.
- In use in defence services, police establishments, factories, & security services.



### SPECIFICATION

Dimensions	: 240x100x35mm approx.
Weight	: 525 gms. Approx.
Sensitivity	: Can easily detect a small coin anywhere on the body.
Power	: Less than 0.3W 4x1.2V rech. Bty. Or 4x1.5V dry. Cell (AA size).
Battery charger	: Optional ( charger cum holding stand)
Environmental Condition	: -14 to 50 deg.



### MODEL:- SM8CM

\* Operates on 2x1.2V rech. Bty. Or 2x1.5V dry cell (AA size) \* Rugged construction (ABS moulded body), \* Light in weight. \* Pocket model (half in a size compared to conventional models). High sensitivity. \* Height pitch of beep through peizo electric buzzer.

Note:- To keep pace with latest technology SIVANANDA ELECTRONICS reserves the right to update the system, hence specifications are subject to change without any notice.



## SIVANANDA ELECTRONICS

DEEPAK MAHAL, LAM ROAD, DEVLALI 422 401 (MAHARASHTRA)  
TEL.: Factory-(0253) 2491816,2491423,2491504 Fax:- (0253)2492291  
Mumbai-(022) 26796487,26786249,26792818 Fax-(022)26783113  
Goa- (0834) 2555755, Fax- (0834) 2555702, CALCUTTA: (033) 23580759  
TEL./FAX.New Delhi- (011) 26221582, 26204168-69 Fax- (011) 26446150

An ISO 9001  
Company

