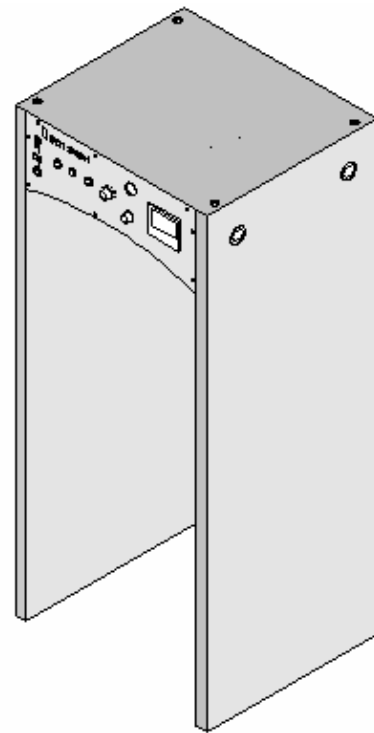


# Walk Through Door frame metal detector

## Model Checkmate IIIS

SIVA walk-through type of Metal Detector is designed to detect both ferrous and nonferrous metals concealed on a person in any conceivable manner. The search-coil and control module are housed in an aesthetically designed archway which can blend into any sophisticated decor. The archway is designed for quick installation and erection

SIVA Metal Detectors are backed by effective after-sales service, provided by a team of trained technicians. Plug-in card system enables the user to keep the downtime min. standardized plug-in spares are available readily.



### Features:

1. Auto Set Calibration, no setting required once the metal detector is switched ON
2. Detects weapons, ferrous & non-ferrous metals, conductive metal alloys & ferrite
3. Wide range of sensitivity, upto 9 levels settable through thumbwheel switch.
4. Audio & Visual alarm on metal detection.
5. Walk Stop Indicator for flow control
6. Plug in type PCB for easy of maintenance
7. Side Panel & control unit are detachable for ease of transportation
8. Metal Detector Frame made of tropicalized teak wood , Plywood & Sun mica pasted on it
9. Infrared Sensor for counting the traffic (optional)

### Technical Specification:

Power: 230 VAC +/- 10% 50 Hz

Visual indication: Bar graph & LED

Audio indication: Buzzer

Sensitivity :

Low for object like grenades,

Optimum for weapon detection &

High for small object of size 25 mm side cube  
of ferrous metals like iron

### Dimension & Space

Passage Clearance: 1920 X 720 X 610 mm

Overall dimension : 2090 X 840 X 610 mm

Floor Space required: 840 X 610 MM

Operating temperature: 0 to 50 degree C

Humidity: 90% non-condensing

## SIVANANDA ELECTRONICS

Deepak Mahal, Lam Road, Deolali- 422 401 (Nasik) Maharashtra

Tel: 0253-2491423, 2491816, 2491504 Fax: 2492291

Email: [mkb@sivanandaelectronics.com](mailto:mkb@sivanandaelectronics.com)